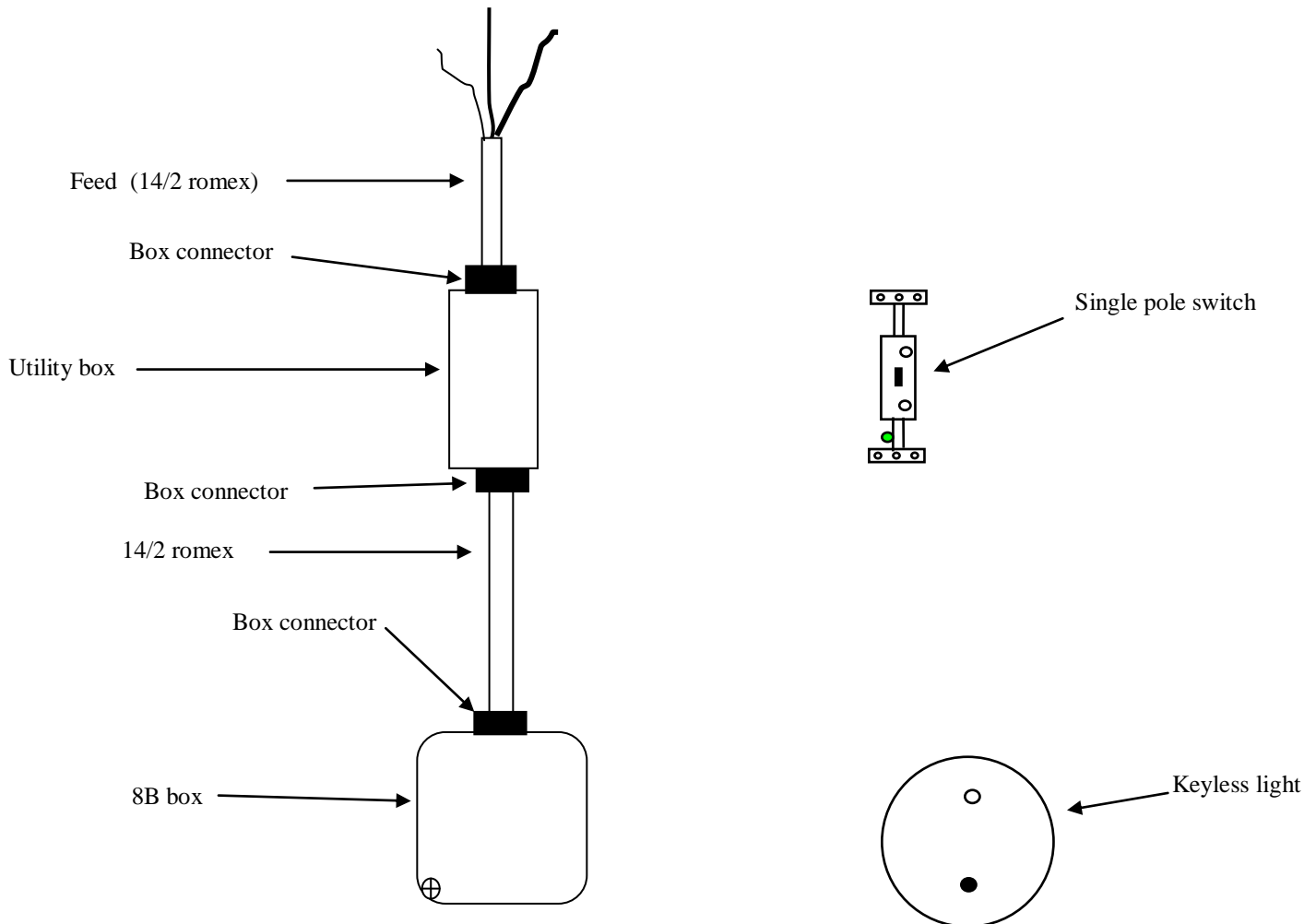


Single pole switch feeding one light. Feed at first switch.



Part 1 - The drawing

Part 2 - Get all material for the project

- 1 – Single pole switch – drawer #1
- 3 – Box connectors – drawer #5
- 2 – Yellow wirenuts – drawer # F
- 1 – 8b box.
- 1 – utility box
- 1 – Keyless light.
- 2 – 18 inch pieces of romex.
- 1– Bare jumper.

Part 3 - Romex at the boxes

- Step 1. Using the cable strippers, strip 6" of insulation off each end of both pieces of 14/2 romex.
- Step 2. Using the 3 box connectors, fasten the romex to the boxes as shown in the picture above.

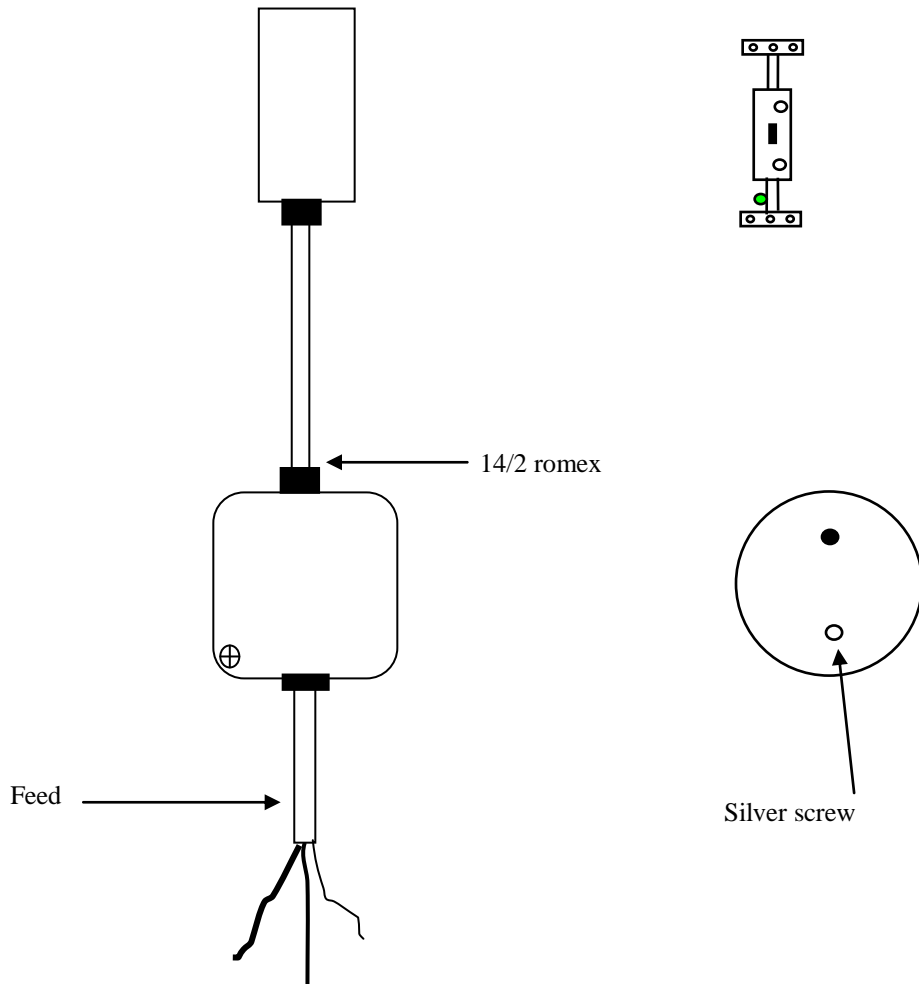
Part 4 - At the utility box

- Step 1. With a 6" piece of bare wire, make a loop on one end and fasten it under the green screw on the switch
- Step 2. Terminate the three bare wire using a wire nut.
- Step 3. Strip the two white wires 1/2" and terminate them using a wire nut.
- Step 4. Strip 3/4" off the 2 black wires, put a loop on the ends and terminate them clockwise on the single pole switch.

Part 5 - At the 8B box

- Step 1. Put a loop on the bare wire and fasten it clockwise under a screw in the 8B box.
- Step 2. Strip 3/4" off the black and white wires and put a loop on the ends.
- Step 3. Terminate the white wire clockwise under the silver screw on the keyless light.
- Step 4. Terminate the black wire clockwise under the brass screw on the keyless light.

Single pole switch feeding one light. Feed at light.



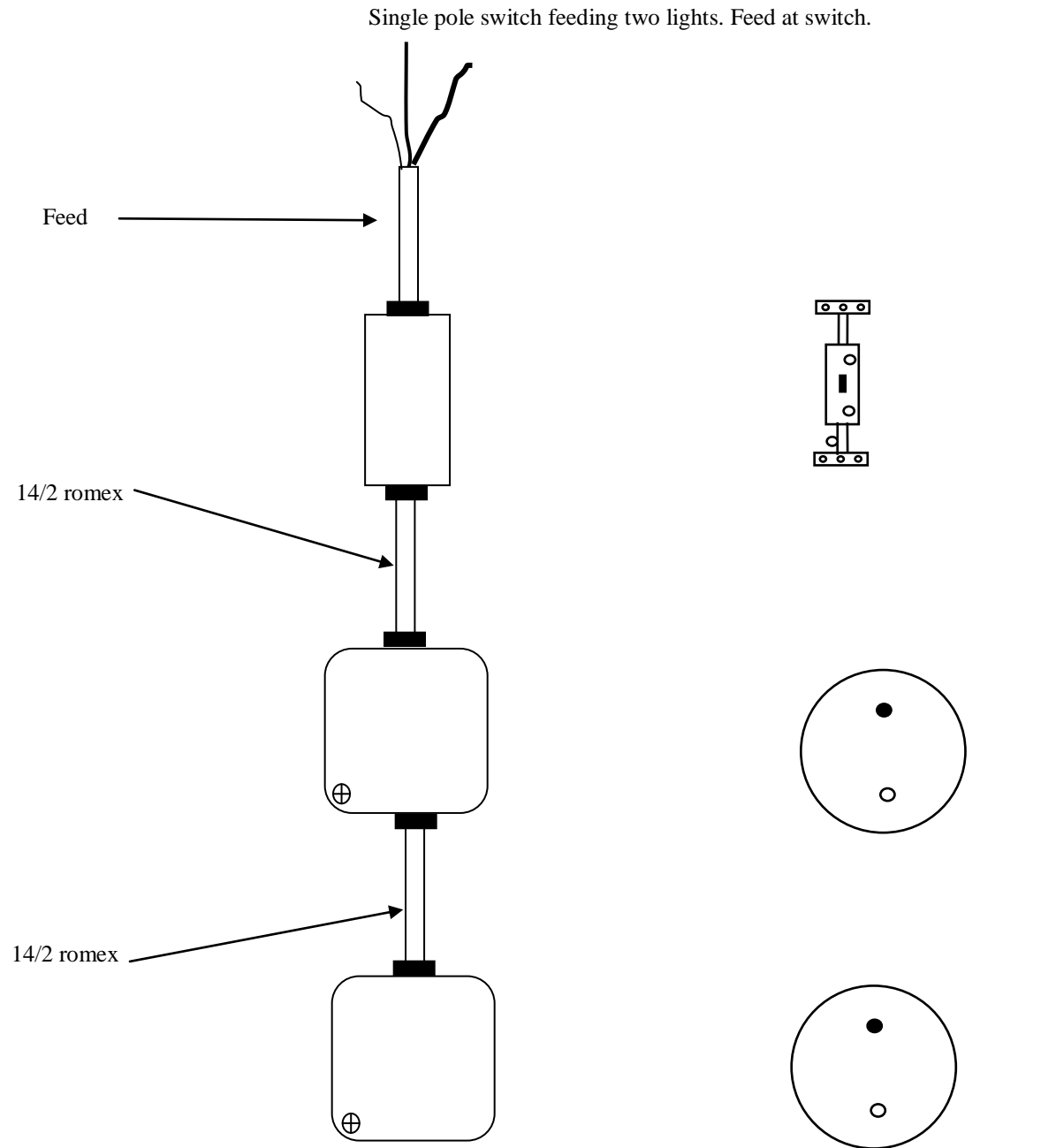
Step 1: Connect all bare wires

Step 2: Connect the white wire from the feed to the silver screw a the light

Step 3: Connect the black wire from the feed to a white wire to the single pole switch

Step 4: Connect the black wire from the single pole switch to the brass screw on a light

Correct		Incorrect
<input type="checkbox"/>	1. Name & seat number on top of page	<input type="checkbox"/>
<input type="checkbox"/>	2. Wirenuts installed correctly	<input type="checkbox"/>
<input type="checkbox"/>	3. Loops correct(clockwise)	<input type="checkbox"/>
<input type="checkbox"/>	4. 6 inches of free conductors inside boxes	<input type="checkbox"/>
<input type="checkbox"/>	5. Drawing complete and accurate	<input type="checkbox"/>
<input type="checkbox"/>	6. Wearing safety glasses	<input type="checkbox"/>



Step 1: Connect all bare wires

Step 2: Connect the neutral wire (white wire from the feed) to the silver screw on both lights

Step 3: Connect the hot wire (black wire from the feed) to a screw on the single pole switch

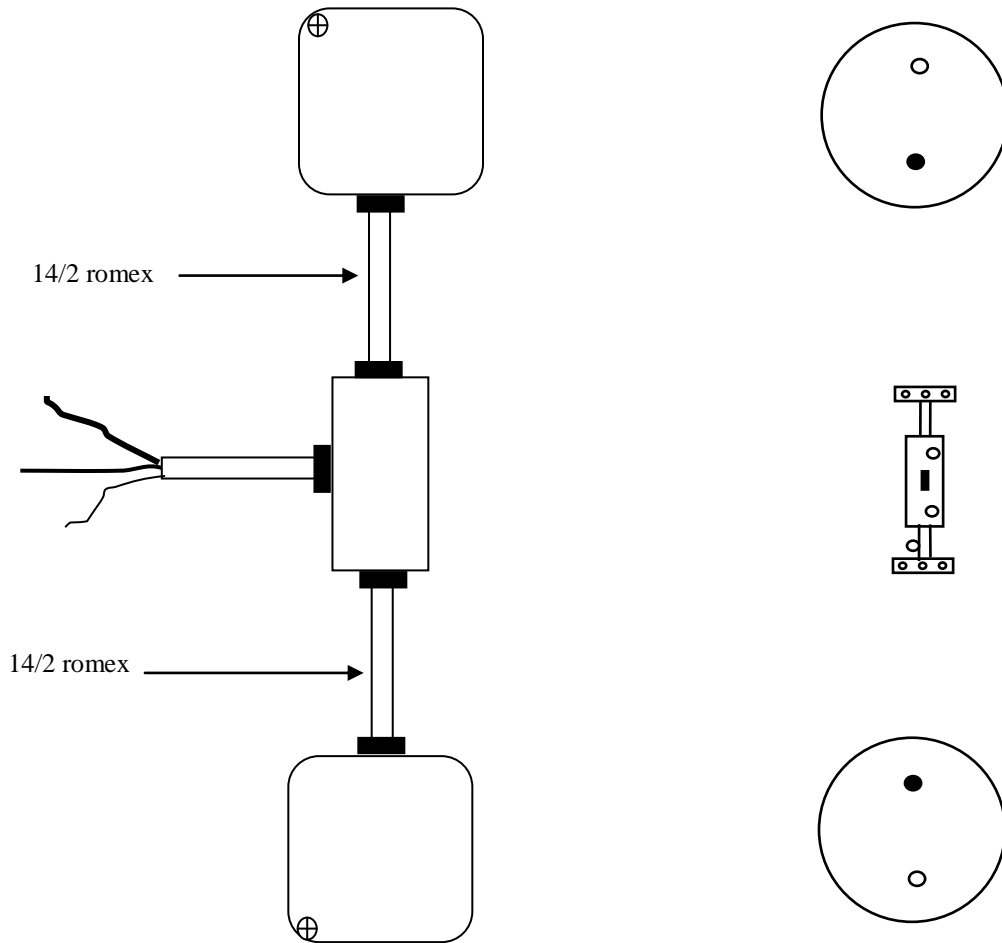
Step 4: Connect the switch leg wire from the (other screw) of the single pole switch to the brass screw on both lights

Note 1. Use a 6 inch piece of white wire from a wire nut to the silver screw on the light.

Note 2. Use a 6 inch piece of black wire from a wire nut to the brass screw on the light.

Correct	Incorrect	
<input type="checkbox"/>	1. Name & seat number on top of page	<input type="checkbox"/>
<input type="checkbox"/>	2. Wirenuts installed correctly	<input type="checkbox"/>
<input type="checkbox"/>	3. Loops correct(clockwise)	<input type="checkbox"/>
<input type="checkbox"/>	4. 6 inches of free conductors inside boxes	<input type="checkbox"/>
<input type="checkbox"/>	5. Drawing complete and accurate	<input type="checkbox"/>
<input type="checkbox"/>	6. Wearing safety glasses	<input type="checkbox"/>

Single pole switch feeding two lights in parallel. Feed at switch.



Step 1: Connect all bare wires

Step 2: Connect the neutral wire (white wire from the feed) to the silver screws on the lights

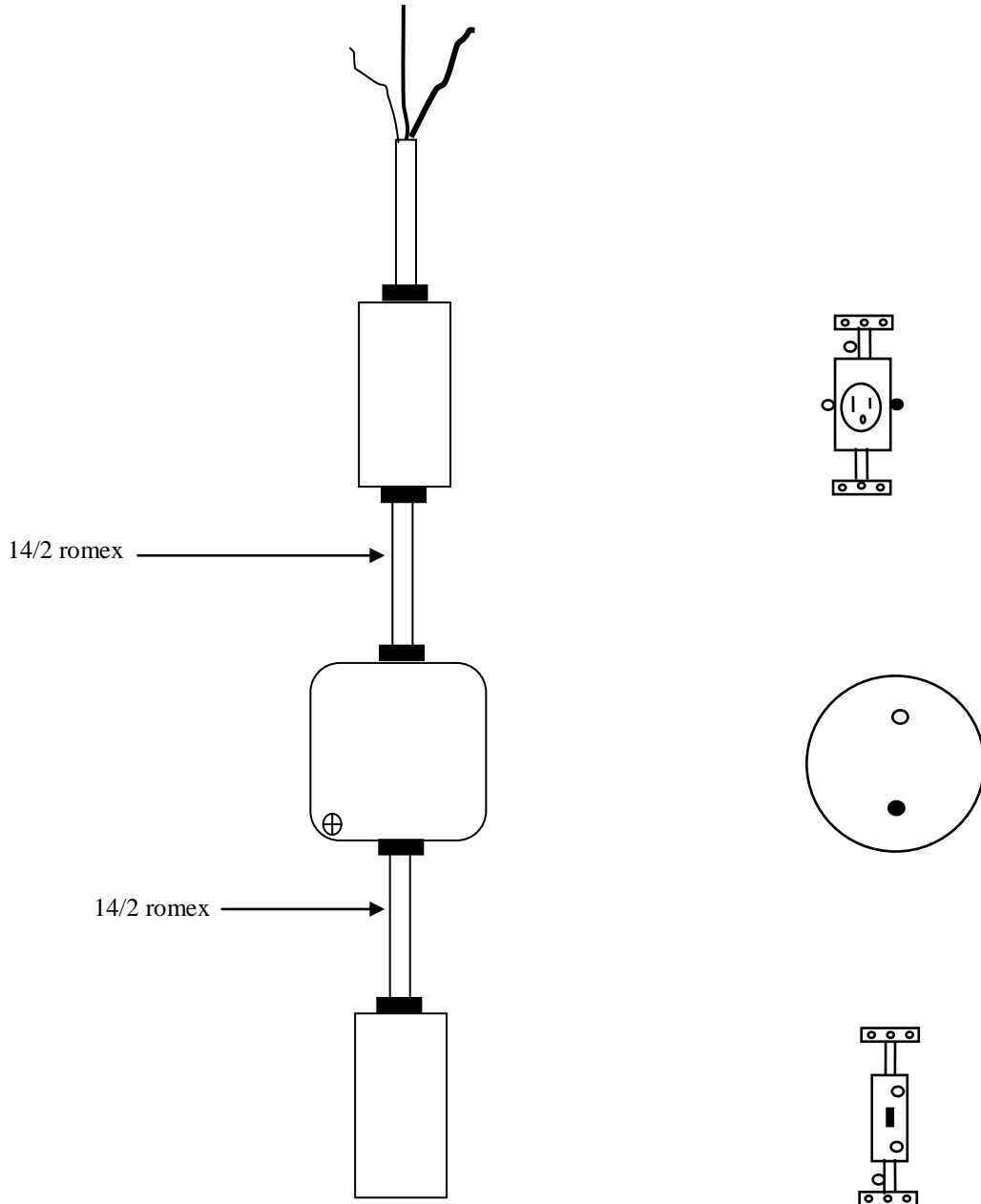
Step 3: Connect the hot wire (black wire from the feed) to a screw on the single pole switch

Step 4: Connect the switch leg wire from the (other screw) of the single pole switch to the brass screw on both lights

Note 1. Use a 6 inch piece of black wire from the wire nut to a brass screw on the single pole switch.

Correct		Incorrect
<input type="checkbox"/>	1. Name & seat number on top of page	<input type="checkbox"/>
<input type="checkbox"/>	2. Wirenuts installed correctly	<input type="checkbox"/>
<input type="checkbox"/>	3. Loops correct(clockwise)	<input type="checkbox"/>
<input type="checkbox"/>	4. 6 inches of free conductors inside boxes	<input type="checkbox"/>
<input type="checkbox"/>	5. Drawing complete and accurate	<input type="checkbox"/>
<input type="checkbox"/>	6. Wearing safety glasses	<input type="checkbox"/>

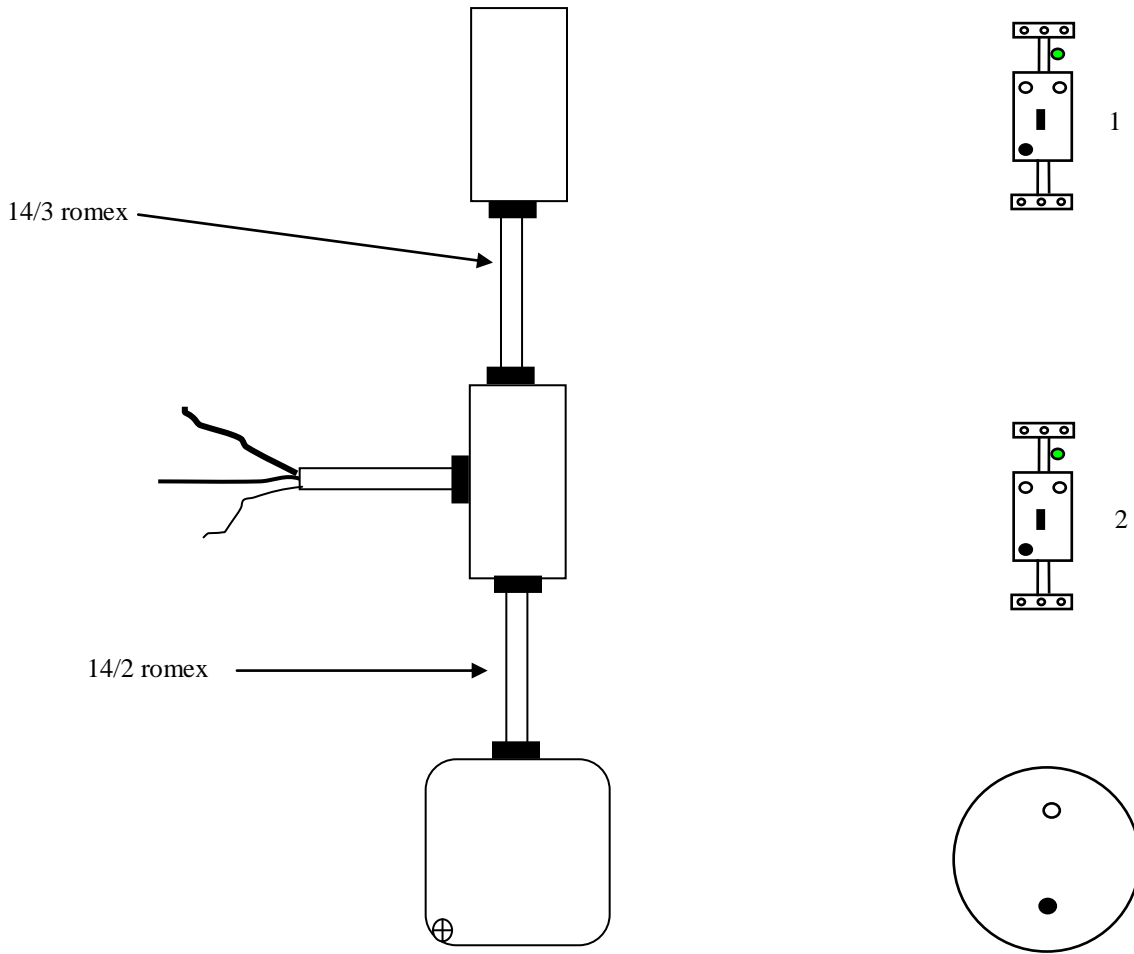
Single pole switch feeding one light with a live receptacle. Feed at receptacle.



- Step 1: Connect all bare wires
- Step 2: Connect the neutral wire (white wire from the feed) to the silver screw on a light and a receptacle.
- Step 3: Connect the hot wire (black wire from the feed) to a screw on the single pole switch and the brass screw on the receptacle
- Step 4: Connect the switch leg wire from the (other screw) of the single pole switch to the brass screw on a light.

Correct		Incorrect
<input type="checkbox"/>	1. Name & seat number on top of page	<input type="checkbox"/>
<input type="checkbox"/>	2. Wirenuts installed correctly	<input type="checkbox"/>
<input type="checkbox"/>	3. Loops correct(clockwise)	<input type="checkbox"/>
<input type="checkbox"/>	4. 6 inches of free conductors inside boxes	<input type="checkbox"/>
<input type="checkbox"/>	5. Drawing complete and accurate	<input type="checkbox"/>
<input type="checkbox"/>	6. Wearing safety glasses	<input type="checkbox"/>

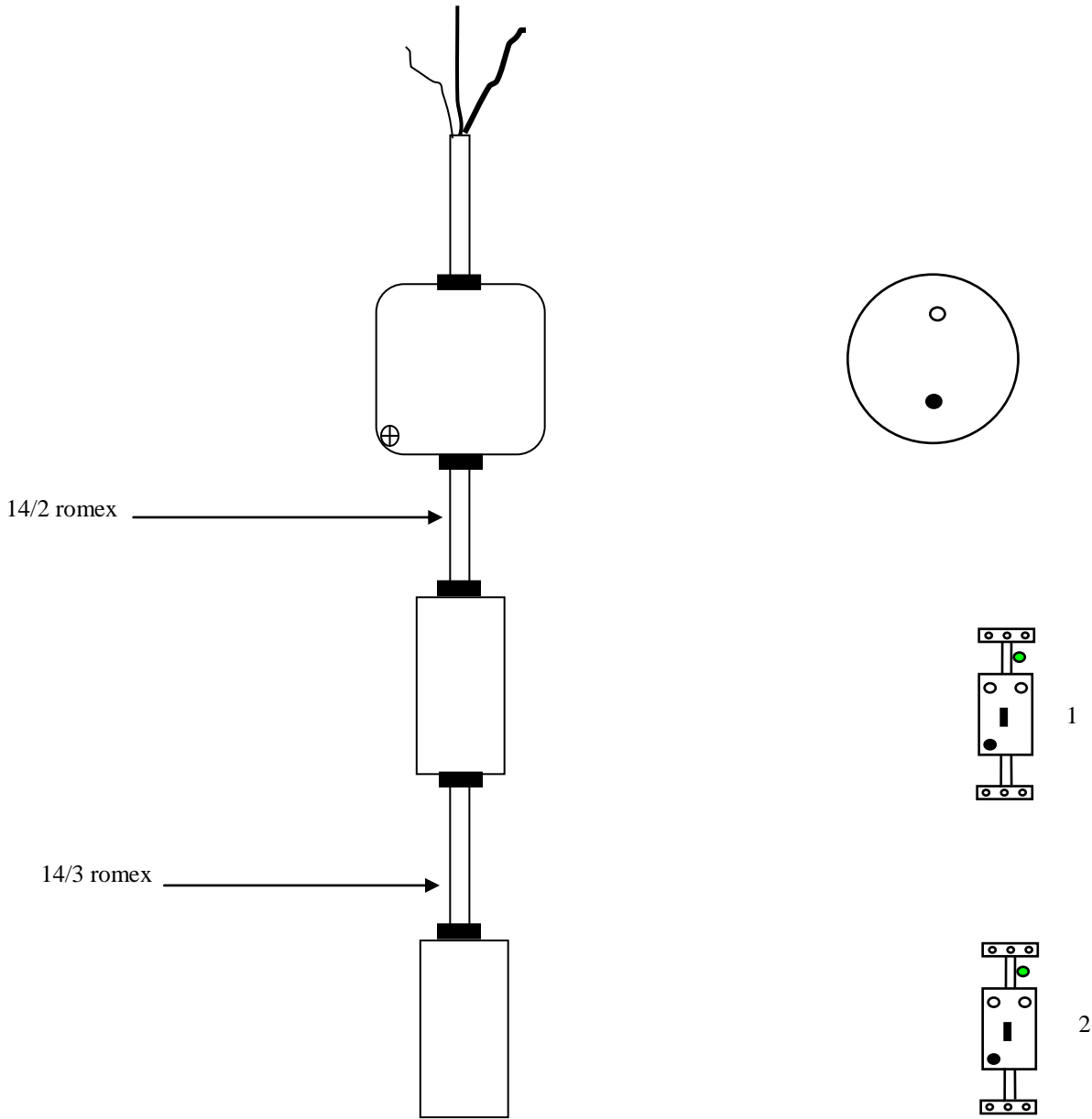
Two three way switches feeding one light. Feed at second switch.



- Step 1: Connect all bare wires
- Step 2: Connect the white wire from the feed to the silver screw on a light
- Step 3: Connect the black wire from the feed to the common screws on switch #2
- Step 4: Connect the black wire from the brass screws on a light to the common screw on switch #1.
- Step 5: Connect the white and red wires from one switch to the other switch using the silver screws.

Correct		Incorrect
<input type="checkbox"/>	1. Name & seat number on top of page	<input type="checkbox"/>
<input type="checkbox"/>	2. Wirenuts installed correctly	<input type="checkbox"/>
<input type="checkbox"/>	3. Loops correct(clockwise)	<input type="checkbox"/>
<input type="checkbox"/>	4. 6 inches of free conductors inside boxes	<input type="checkbox"/>
<input type="checkbox"/>	5. Drawing complete and accurate	<input type="checkbox"/>
<input type="checkbox"/>	6. Wearing safety glasses	<input type="checkbox"/>

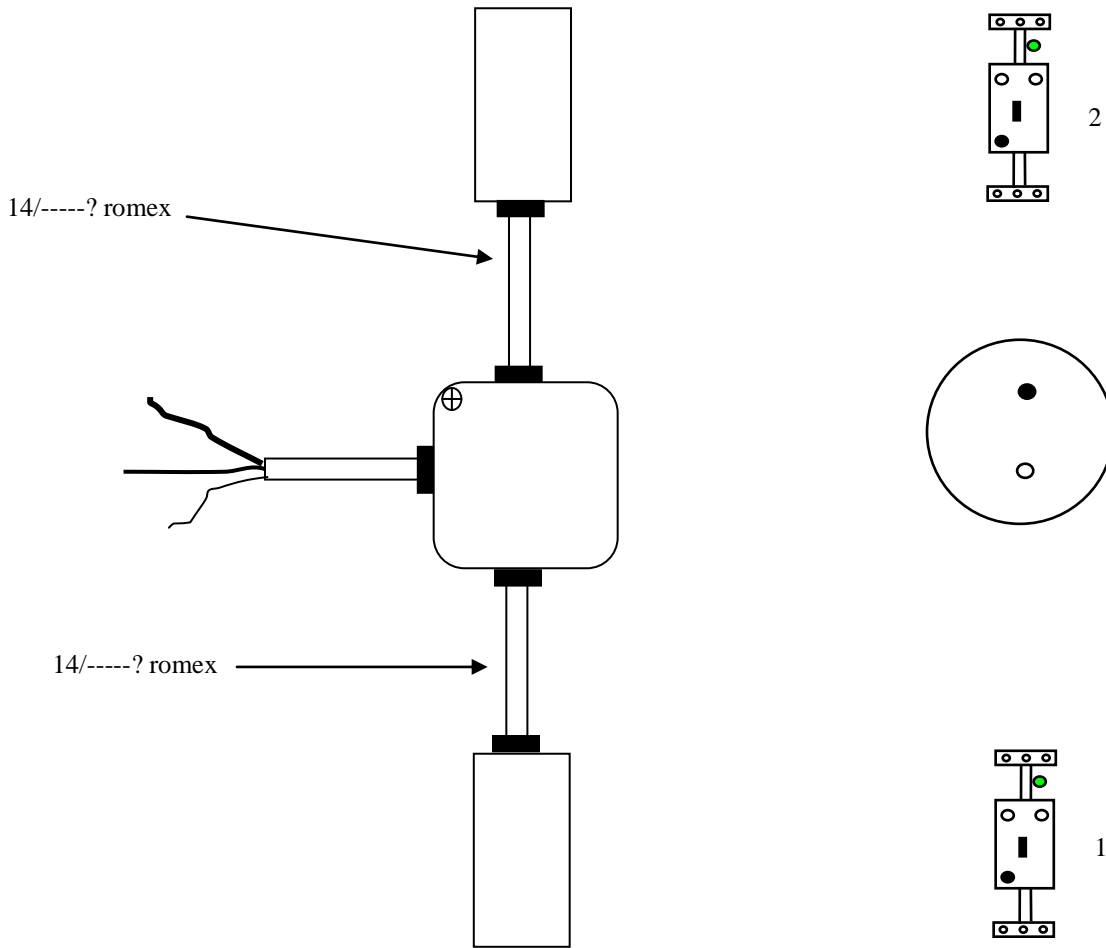
Two three way switches feeding one light. Feed at light.



- Step 1: Connect all bare wires
- Step 2: Connect the white wire from the feed to the silver screw on a light
- Step 3: Wire nut the black wire from the feed to the white wire and connect the white wire to a common screws on switch #1
- Step 4: Connect the black wire from the brass screw on a light to a common screw on switch #2.
- Step 5: Connect the white and red wires from one switch to the other switch using

Correct		Incorrect
<input type="checkbox"/>	1. Name & seat number on top of page	<input type="checkbox"/>
<input type="checkbox"/>	2. Wirenuts installed correctly	<input type="checkbox"/>
<input type="checkbox"/>	3. Loops correct(clockwise)	<input type="checkbox"/>
<input type="checkbox"/>	4. 6 inches of free conductors inside boxes	<input type="checkbox"/>
<input type="checkbox"/>	5. Drawing complete and accurate	<input type="checkbox"/>
<input type="checkbox"/>	6. Wearing safety glasses	<input type="checkbox"/>

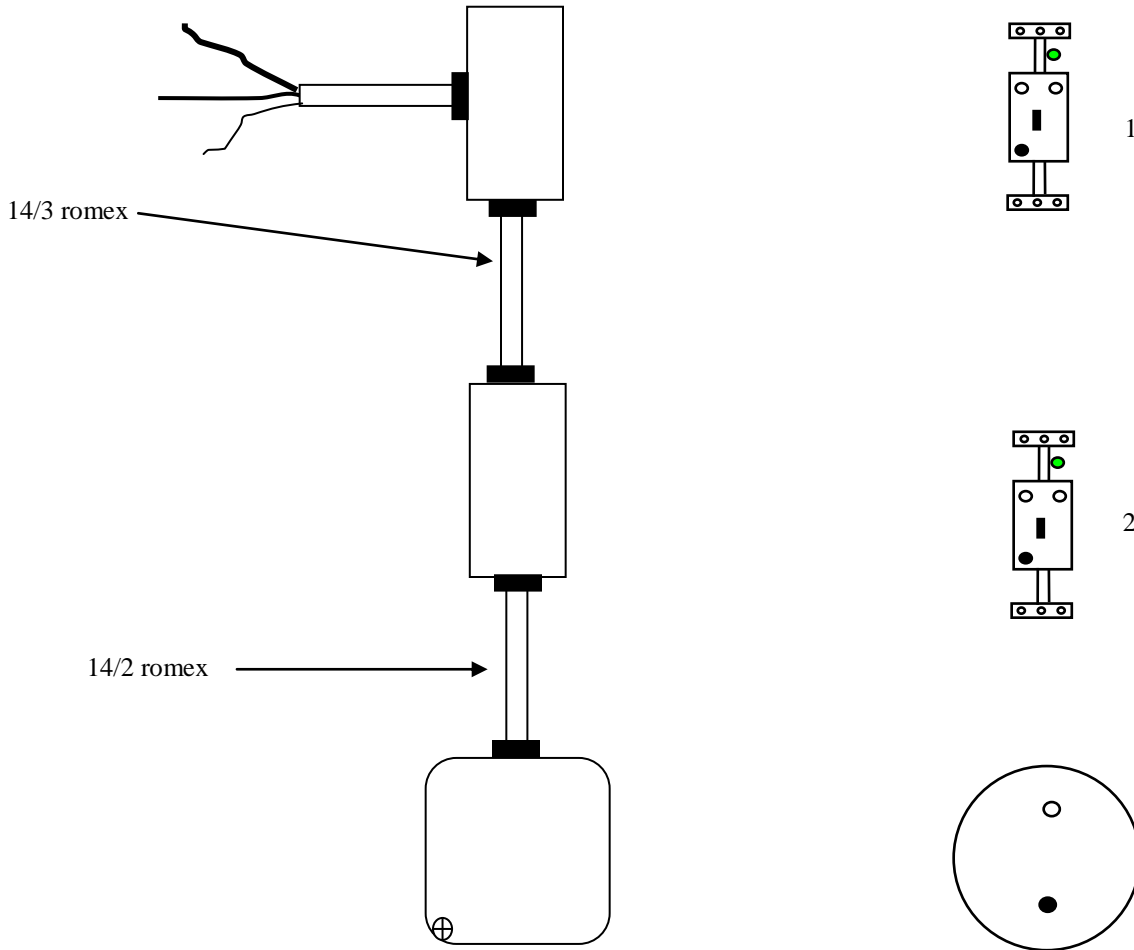
Two three way switches feeding one light. Feed at light.



- Step 1: Connect all bare wires
- Step 2: Connect the white wire from the feed to the silver screw on a light
- Step 3: Connect the black wire from the feed to a common screws on switch #1
- Step 4: Connect the black wire from the brass screw on a light to a common screw on switch #2.
- Step 5: Connect the white and red wires from one switch to the other switch using the silver screws.

Correct		Incorrect
<input type="checkbox"/>	1. Name & seat number on top of page	<input type="checkbox"/>
<input type="checkbox"/>	2. Wirenuts installed correctly	<input type="checkbox"/>
<input type="checkbox"/>	3. Loops correct(clockwise)	<input type="checkbox"/>
<input type="checkbox"/>	4. 6 inches of free conductors inside boxes	<input type="checkbox"/>
<input type="checkbox"/>	5. Drawing complete and accurate	<input type="checkbox"/>
<input type="checkbox"/>	6. Wearing safety glasses	<input type="checkbox"/>

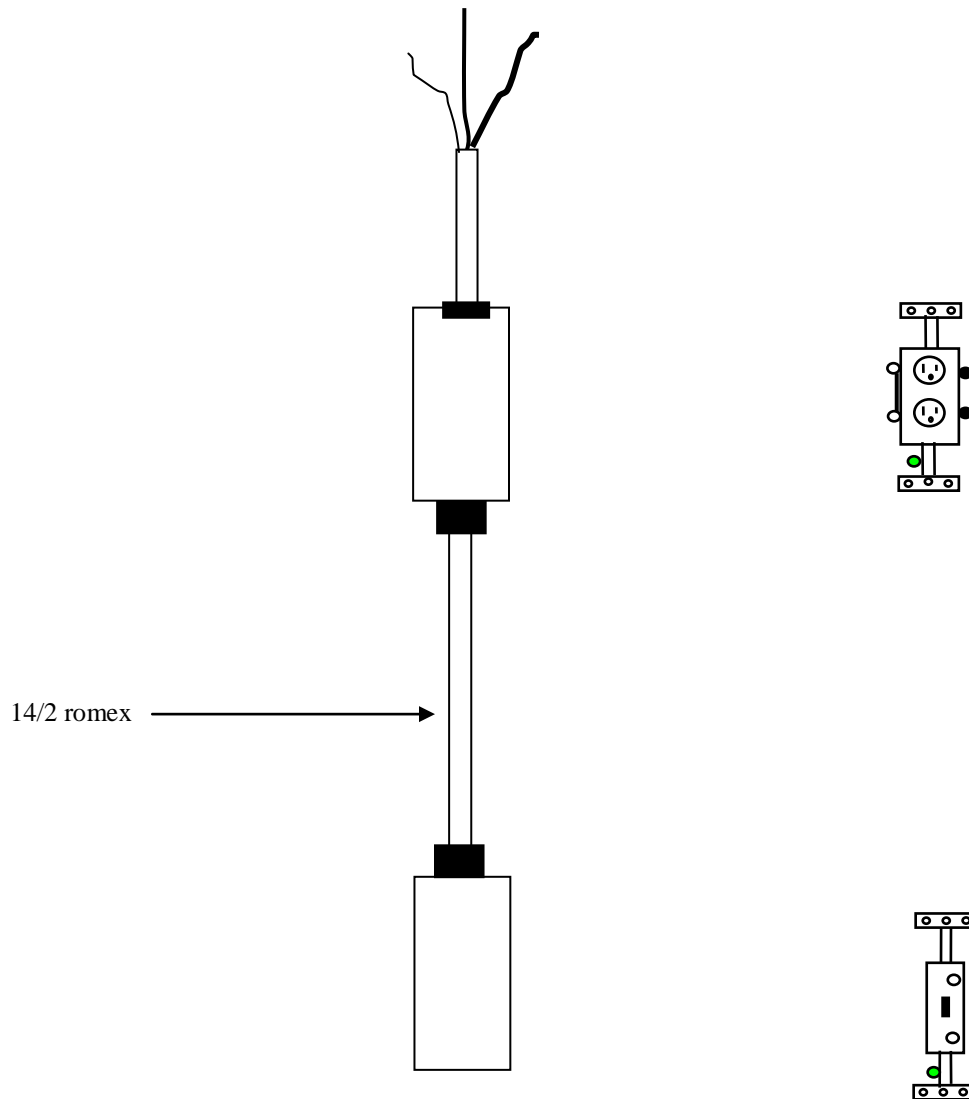
Two three way switches feeding one light. Feed at the first switch.



- Step 1: Connect all bare wires
- Step 2: Connect the white wire from the feed to the silver screw on a light
- Step 3: Connect the black wire from the feed to the common screws on switch #1.
- Step 4: Connect the black wire from the brass screw on a light to the common screw on switch #2.
- Step 5: Connect the black and red wires from one switch to the other switch using the silver screws.

Correct	Incorrect	
<input type="checkbox"/>	1. Name & seat number on top of page	<input type="checkbox"/>
<input type="checkbox"/>	2. Wirenuts installed correctly	<input type="checkbox"/>
<input type="checkbox"/>	3. Loops correct(clockwise)	<input type="checkbox"/>
<input type="checkbox"/>	4. 6 inches of free conductors inside boxes	<input type="checkbox"/>
<input type="checkbox"/>	5. Drawing complete and accurate	<input type="checkbox"/>
<input type="checkbox"/>	6. Wearing safety glasses	<input type="checkbox"/>

Split receptacle with 1/2 hot and 1/2 switched.



- Step 1: Connect all bare wires
- Step 2: Connect the white wire from the feed to the silver screw on a receptacle.
- Step 3: Connect the black wire from the feed to a screw on the single pole switch and use a 6 inch piece of black wire from the wirenut to the brass screw on the receptacle
- Step 4: Connect the switch leg wire from the (other screw) of the single pole switch to the brass screw on a receptacle

Correct		Incorrect
<input type="checkbox"/>	1. Name & seat number on top of page	<input type="checkbox"/>
<input type="checkbox"/>	2. Wirenuts installed correctly	<input type="checkbox"/>
<input type="checkbox"/>	3. Loops correct(clockwise)	<input type="checkbox"/>
<input type="checkbox"/>	4. 6 inches of free conductors inside boxes	<input type="checkbox"/>
<input type="checkbox"/>	5. Drawing complete and accurate	<input type="checkbox"/>
<input type="checkbox"/>	6. Wearing safety glasses	<input type="checkbox"/>

